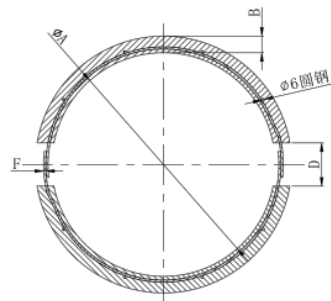
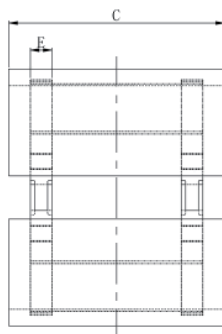


## 海底管道用镯状铝阳极



型号	规格 / mm				铁脚尺寸 / mm		净重 /kg	毛重 /kg
	A	B	C	D	E	F		
YX-AL-S-1	365.6	38.1	500	100	50	5	53.9	59.9
YX-AL-S-2	365.6	58.5	520	100	50	5	88.8	94.8
YX-AL-S-3	365.6	58.1	500	100	50	5	88	94.1
YX-AL-S-4	365.6	38.5	500	100	50	5	54.6	60.6
YX-AL-S-5	467	38.5	500	100	50	5	71.3	78.6
YX-AL-S-6	467	58.5	500	100	50	5	114.2	121.5
YX-AL-S-7	518	38.5	500	100	50	5	79.7	87.6
YX-AL-S-8	518	68.5	500	100	50	5	151.9	159.8
YX-AL-S-9	722.4	78.5	650	150	50	6	305.3	317.3
YX-AL-S-10	722.4	58.5	650	150	50	6	221.1	233.1
YX-AL-S-11	830	110	300	150	40	6	232	242.6
YX-AL-S-12	830	120	300	150	40	6	258	268.6
YX-AL-S-13	1035	80	350	150	40	8	236	253.3